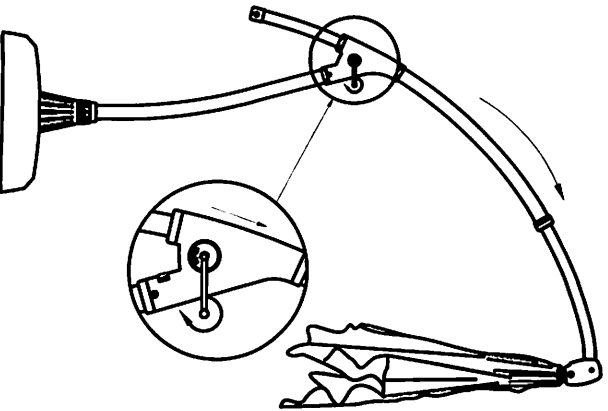


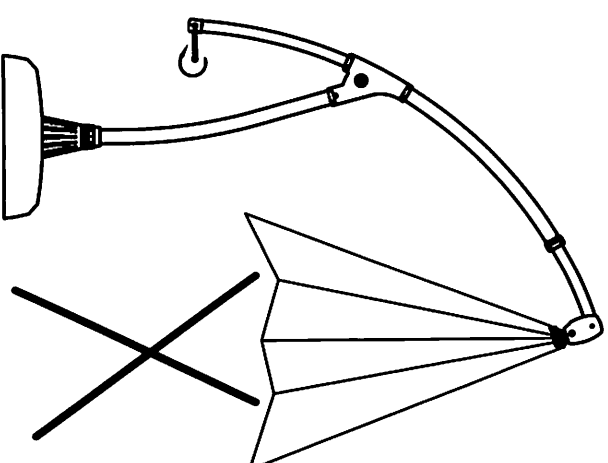
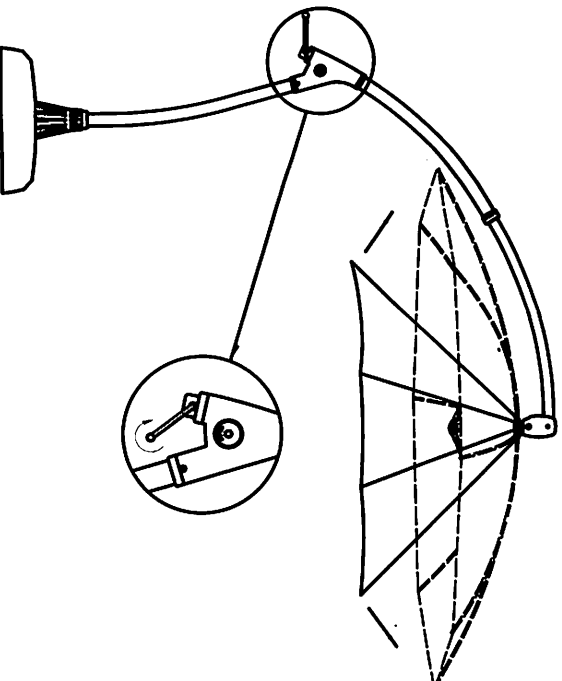
## OPERATING THE UMBRELLA OPENING UMBRELLA

- Fully extend sliding tube before opening umbrella.

1



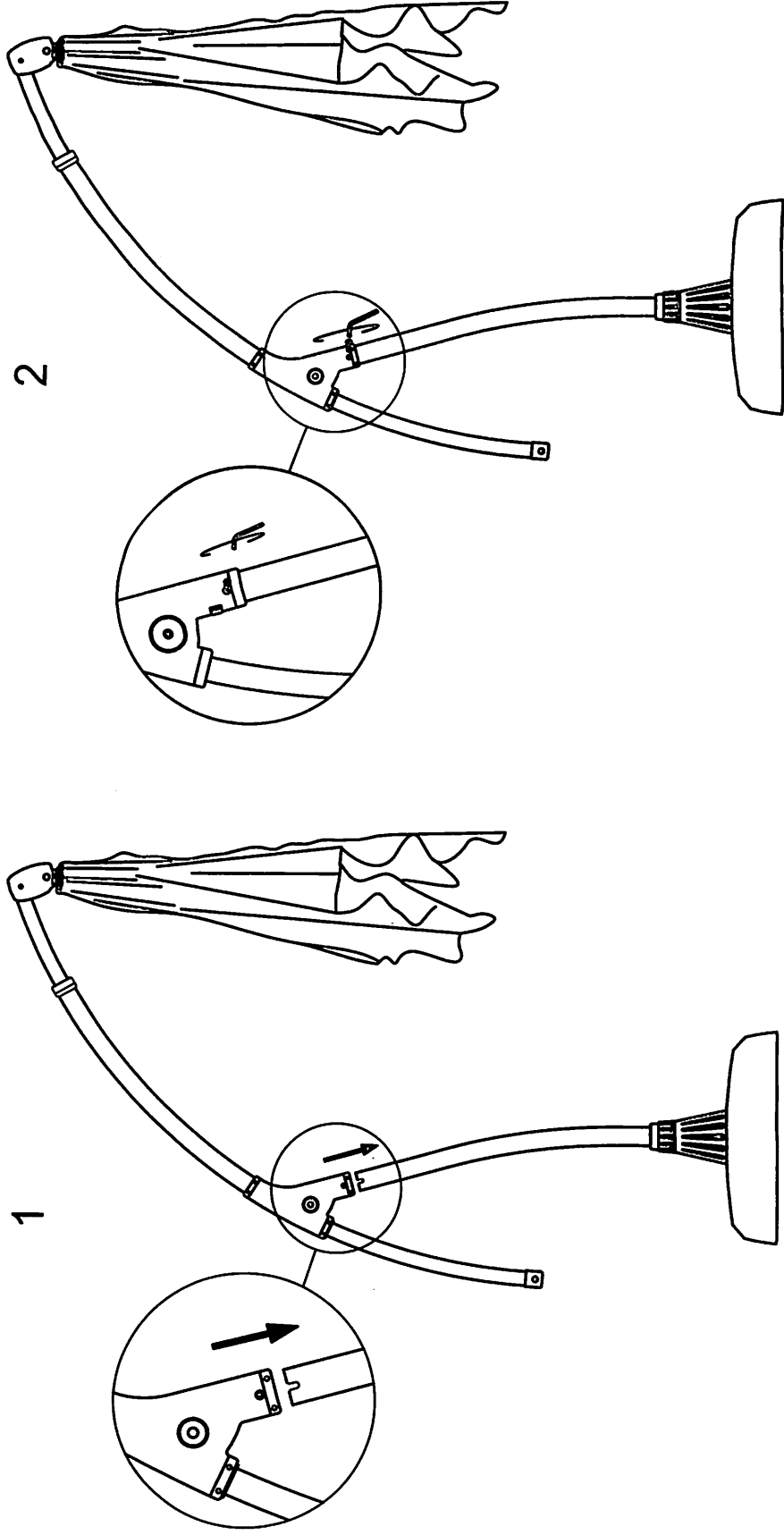
2



- Once the umbrella is fully opened, do not continue to turn crank, otherwise the stop mechanism will not function properly.

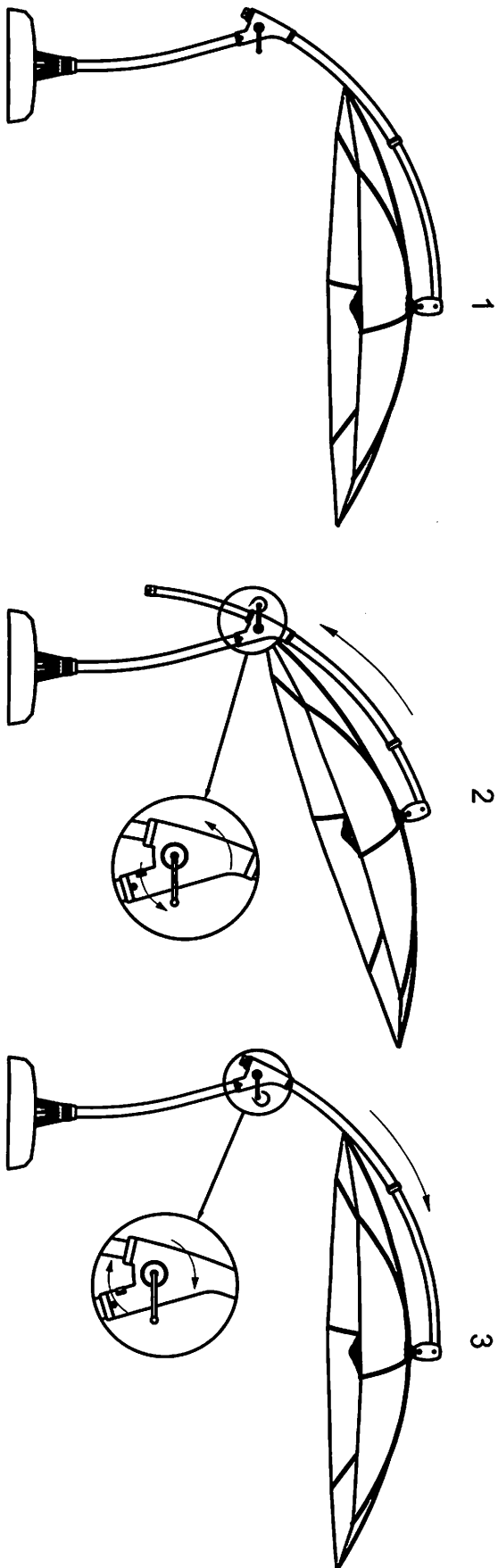
- **Caution:** Do not open the umbrella before the sliding tube is fully extended. Otherwise the parts will be damaged.

## ASSEMBLING THE UMBRELLA



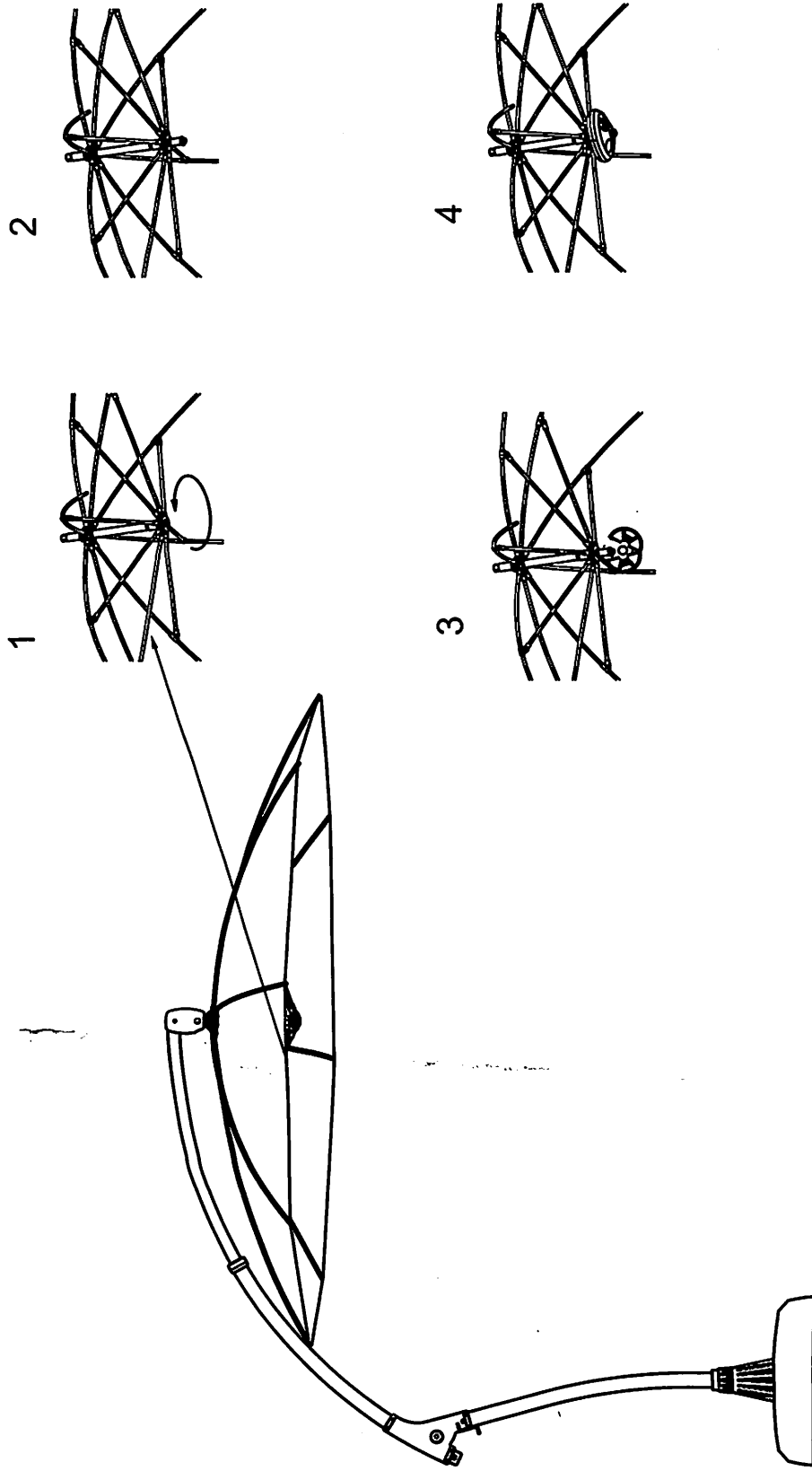
- **Step 1: Make sure the holes of the two parts align.**
- **It is recommended to use 2 people when placing the umbrella in the base.**

## TILTING THE UMBRELLA

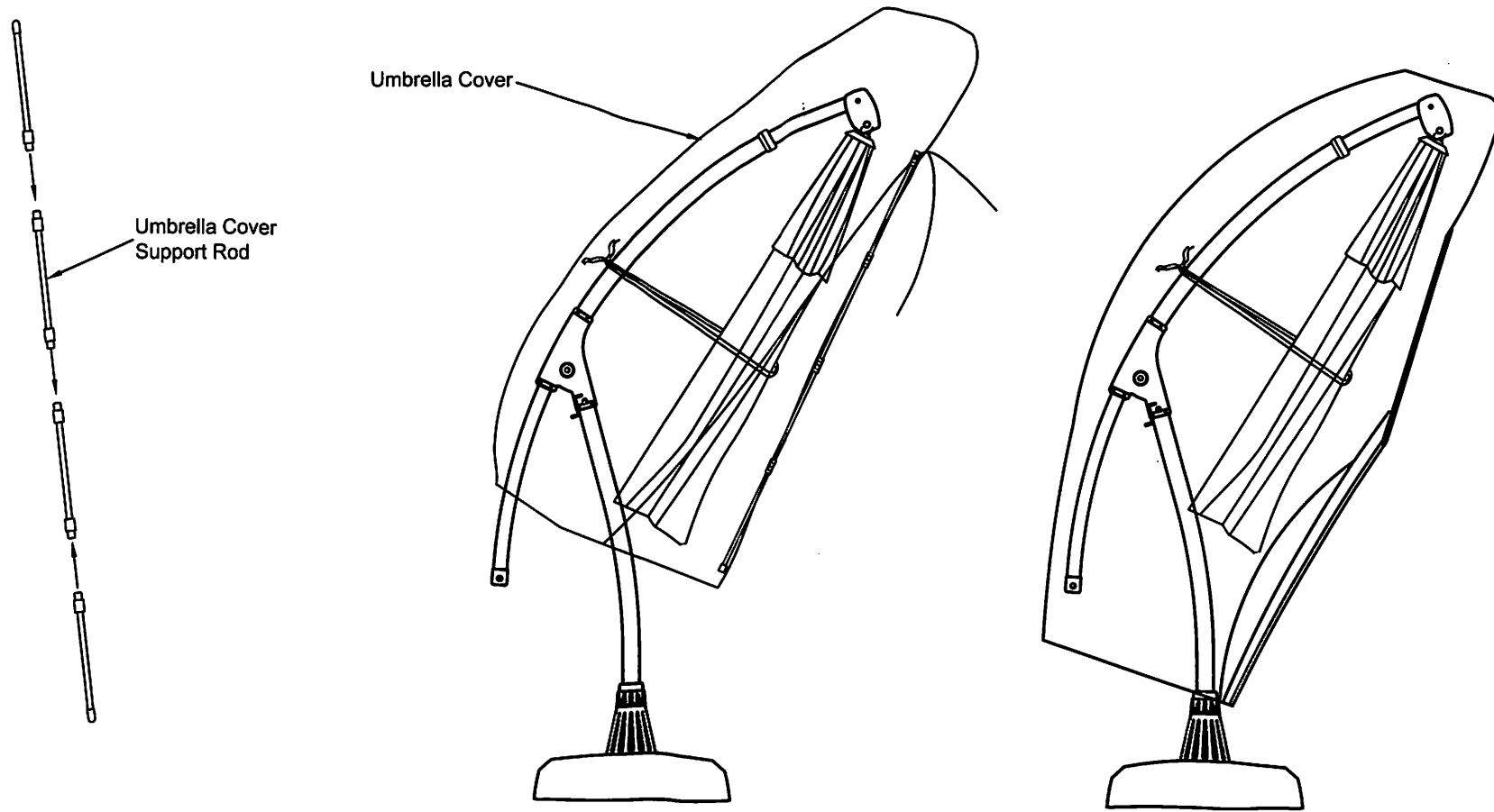


- Turn the crank counter-clockwise to tilt the umbrella to desired position when it is fully opened.

**UMBRELLA LIGHT INSTALLATION (UMBRELLA LIGHT IS NOT INCLUDED)**



## UMBRELLA COVER



### **Caution:**

- Use umbrella cover only when umbrella is completely dry.
- Umbrella should be closed or stored indoors during windy conditions. Do not use during severe weather conditions.

For customer service in the US and Canada, call: 1-877-730-1583  
Customer service hours are 9:00am-5:00pm, Monday-Friday (EST)

**11 FT CANTILEVER PATIO UMBRELLA WITH BASE  
LETTER OF WARRANTY  
ITM./ART.966661**

Please be advised that the manufacturer provides a one-year warranty that this product will be free from defects in original materials and workmanship for 11 ft Cantilever Patio Umbrella with Base.

**Frame**

Frames are warranted to be free from defects in materials and workmanship for a period of one year. Damage to frames or welds due to improper assembly or exposure to water and sub-freezing temperatures is not covered. Do not allow water to accumulate inside frames.

**Finish**

The finish is warranted against peeling, cracking, or blistering for a period of one year provided the unit has not been scratched or abraded. Scratches and chips resulting from abnormal wear and tear are not covered. Fading resulting from exposure to elements is not covered.

**Fabric**

Fabric is warranted for a period of one year against separation at the seams. Fading or discoloration resulting from exposure to the elements, chemicals, or from spills is not covered.

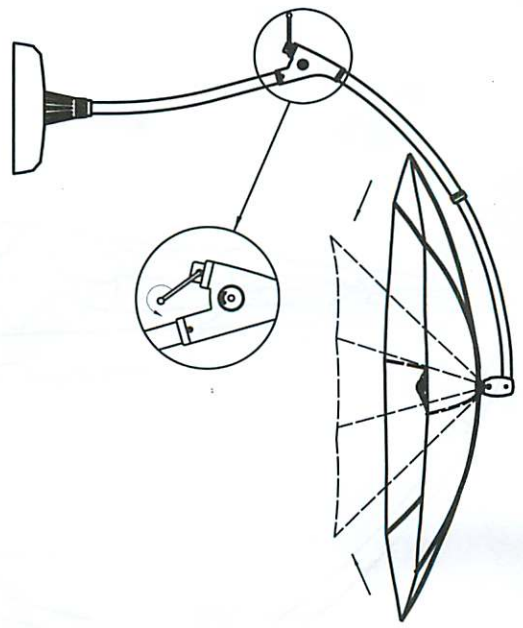
**Note:** All operation should be according to the instruction manual.

\* This warranty DOES NOT COVER the following items:

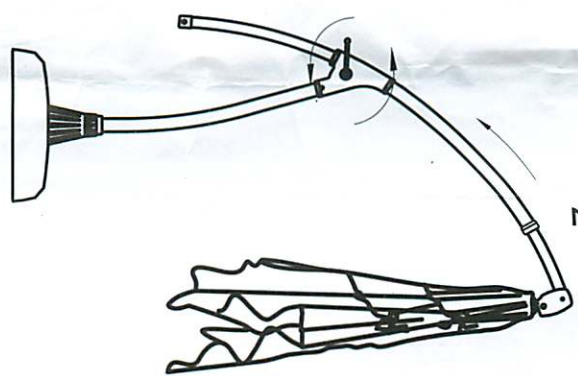
Failure caused by unreasonable or abusive use; failure caused by neglect of reasonable and necessary care; acts of nature (including but not limited to wind, hurricanes, tornadoes, and storms) are not covered by this warranty. *The product is not covered by this warranty after one year from the date of purchase.*

# CLOSING THE UMBRELLA

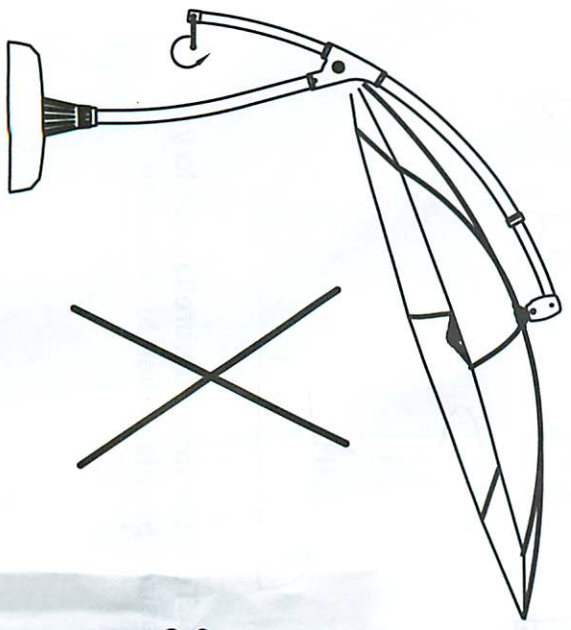
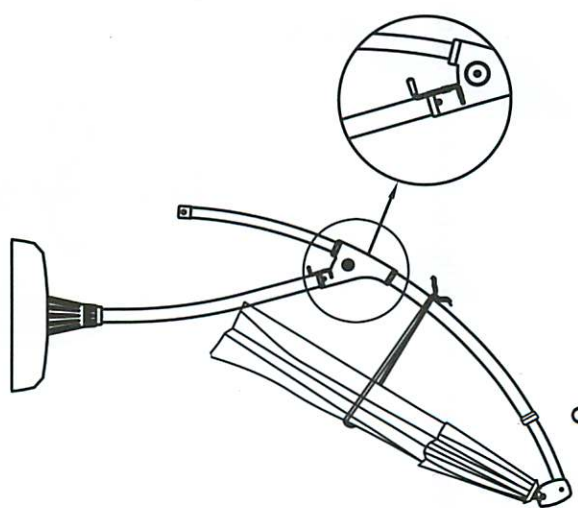
1



2



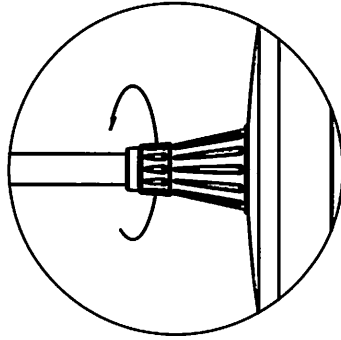
3



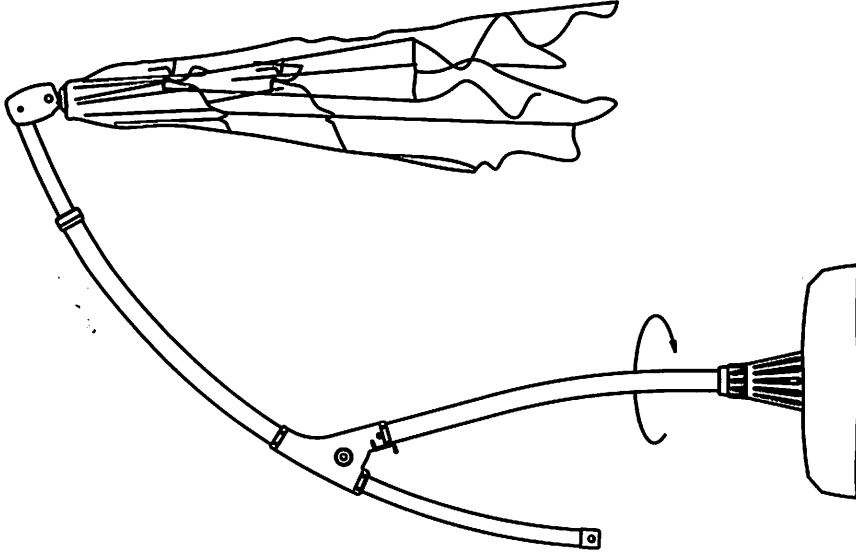
- **Caution:** Do not close the canopy before the sliding tube is fully extended. Otherwise the umbrella parts will not function properly.

## ROTATING THE UMBRELLA

- **Caution:** Only rotate the umbrella in its closed position.



- Release the nut by turning counter-clockwise.



- Turn the lower umbrella pole to your desired position, then lock the nut.